

# HANDY TRY

## All Manual Injection Molding Machine

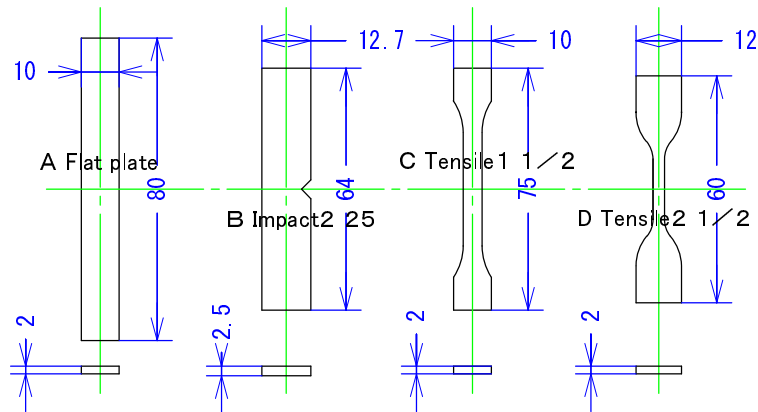
■ The following are its innovative points:

Handy Try (all manual injection molding machine) consists of minimum functions only for injection molding. Manual operation provides with fuzzy control, high speed-low pressure injection conditions. Machine ability to be equal to 20 tons.

Features ■ Material changing time : 5 sec.  
 ■ Mold changing time : 1 min.

Specifications ■ Capacity : 7 cc/Mold : Unit Mold(COMMAND SYSTEM)  
 Temp. :350°C(needed temp.controller)/Weight: 18 kg/Input : 100V  
 ■ Machine size 200(W)x160(D)x450(H)。

Test piece  
(Dog born)



URL <http://www.sellbic.com>

Product NO 10(01.1991) sellbic factory



				Machine Price : 894,000
				Temp.Controller Price: 215,000
D	597,000			
C	637,000	597,000		
B	617,000	637,000	59,7000	
A	567,000	597,000	547,000	497,000
	D	C	B	A

Price list (Mold for test piece)(2 combinations of gate turning